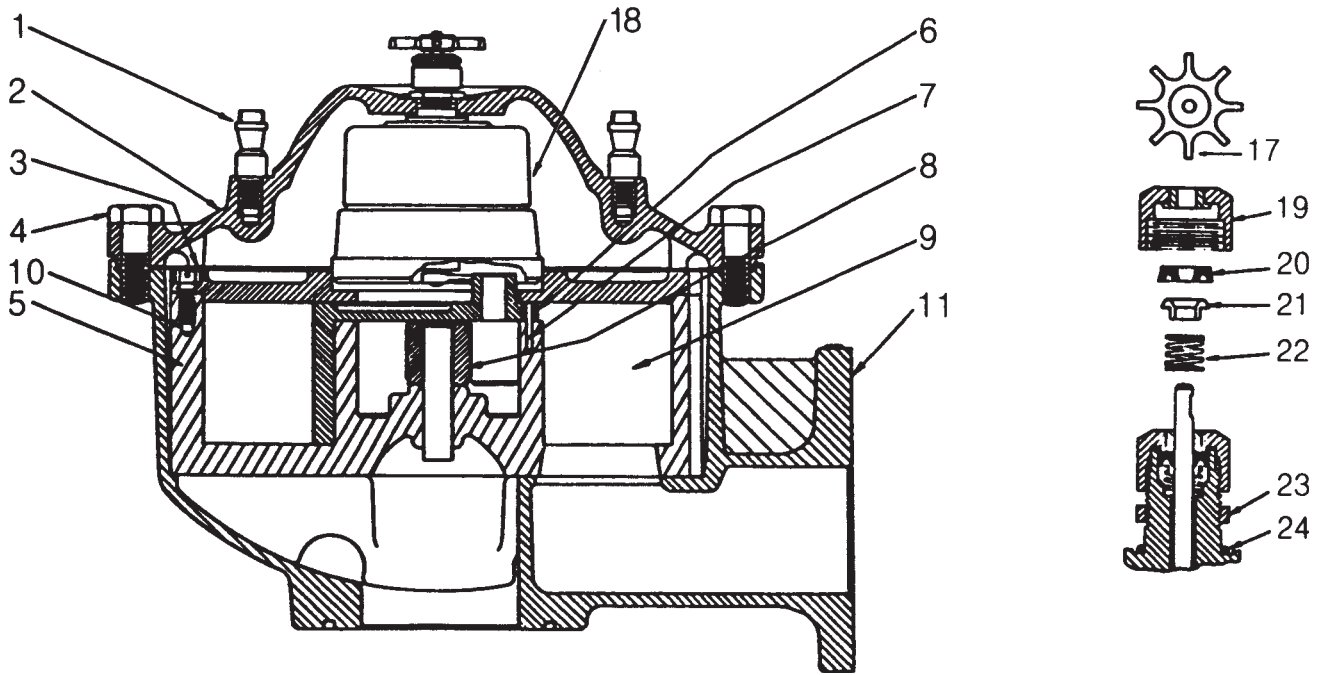


# Flowmeter without Temperature Compensator

## Type 4-MT and Type 4D-MT



Index	Description	Part No.	Index	Description	Part No.
1	Stud Register Mounting	84435-000	14	Gasket, Connector	100139-018
2	Cover, Main Case	400071-001	15	Connector with plug, Meter-to-Vapor Release	400079-001
3	Gasket, Main Case	84806-000	16	Screw, Cap Skt Hd. 7/16-14x3"	8325-040
4	Screw Cap, Main Case	795-003	17	Star Connection with Setscrew	82976-001
	Screw Cap, Main Case (with Seal Hole)	795-011	18	Gear Train Complete	
5	Measuring Chamber Complete	C45806-101		3.75 Reduction US Gal	83502-000
6	Pin Seal	42546-000		9.93 Reduction Litres	80862-055
7	Dowel Stud, Seal Pin	5211-001	19	Stuffing Box Nut with Bushing	83536-000
8	Roller Control	42316-001	20	Seal, U-Cup Shaft	100025-002
9	Diaphragm	42312-001	21	Expander Seal	83539-000
10	Screw, Measuring Chamber	88638-000	22	Spring, Stuffing Box	83540-000
11	Main Case with Locating Pin	400072-701	23	Nut Clamp	34-000
12	Screw, 7/16-14 x 1 1/2" Cap Skt Hd	8325-041	24	Gasket, O-ring, Gear Train	100138-003
13	Lockwasher, 7/16 steel	41012-002	25	O-Ring, 1/8 Dia. x 3-3/8 ID BUNA	100139-013

